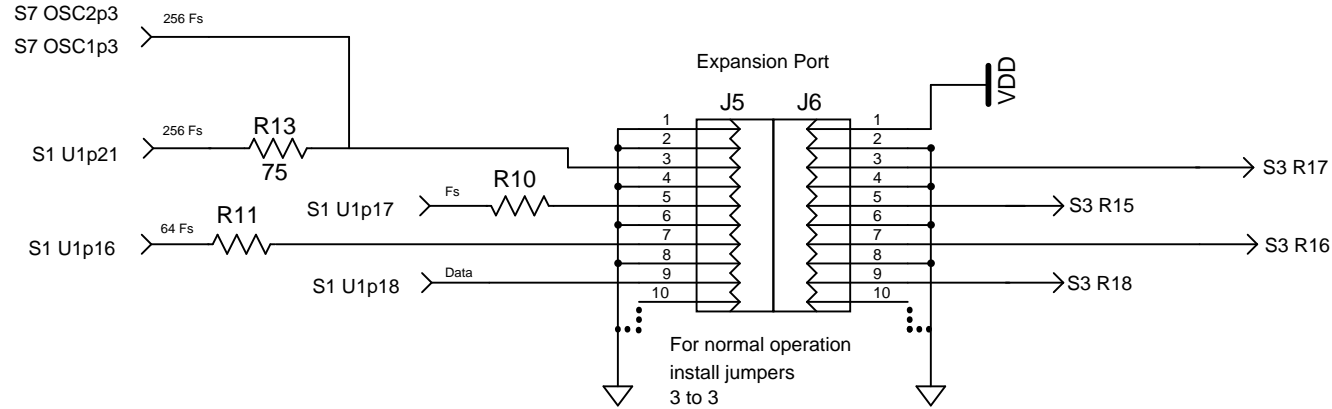
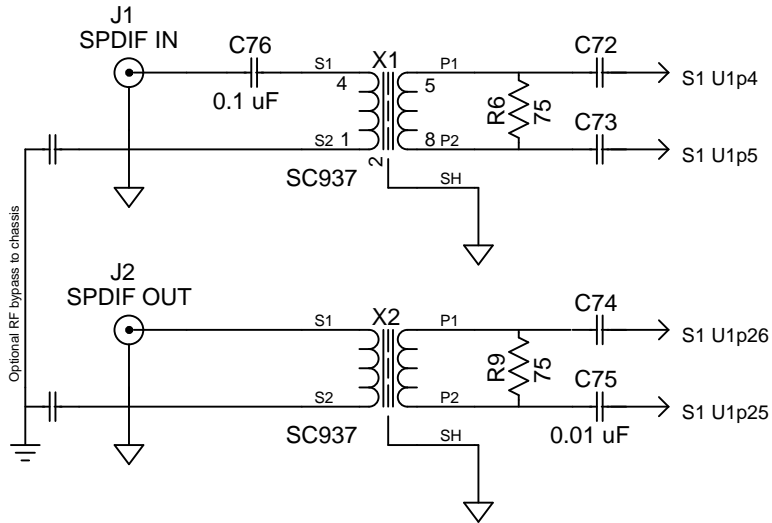
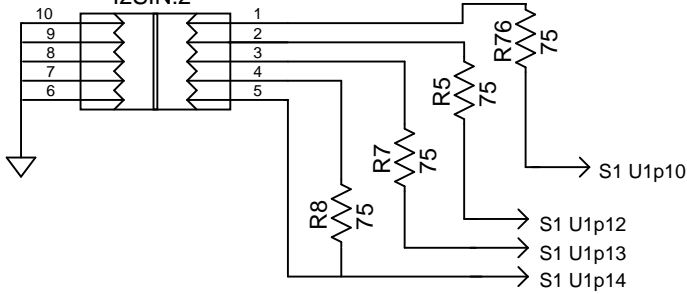


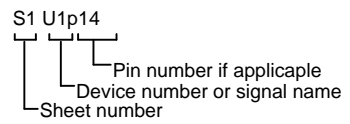
© Copyright 2003 Audio Crafters Guild

Title		
XDO DIR, AJR Filter, Upsampler		
Size	Number	Rev
A	ACG 2001.9.1	2.1
Date	9 April 2003	Drawn by
		NPT
Filename	XD0.S01	Sheet
		1 of 8

1 = Clock Out in Syncro Mode
 2-4 I2S Inputs
 5-6 Mode Jumper
 I2SIN:2



Sheet In/Out label scheme



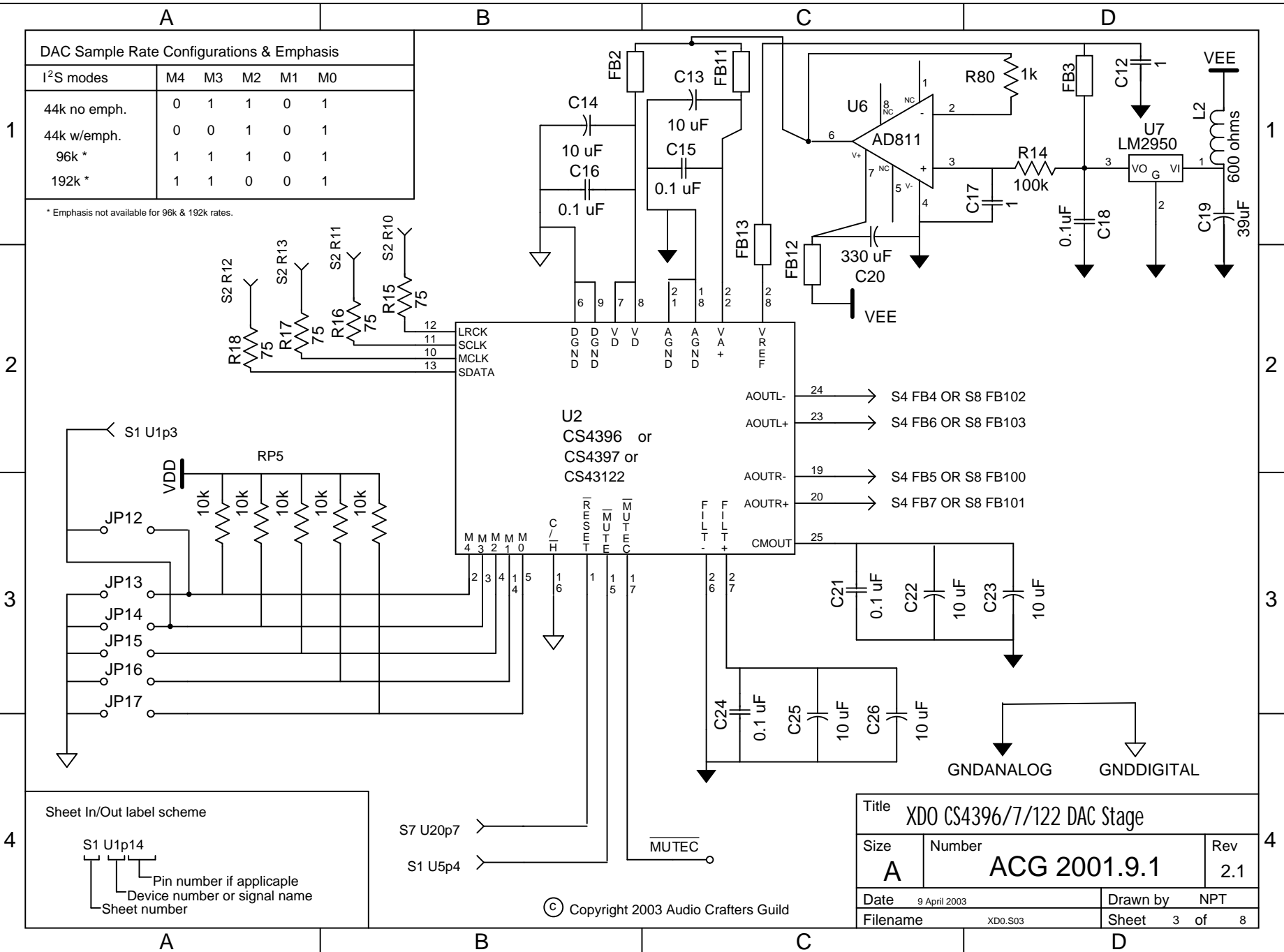
For normal operation
 install jumpers
 3 to 3
 5 to 5
 7 to 7
 9 to 9
 Ground jumpers to pins 10 may
 be cut if spare I/O pins are needed.

© Copyright 2003 Audio Crafters Guild

Title XDO Digital I/O Connections		
Size A	Number ACG 2001.9.1	Rev 2.1
Date 9 April 2003	Drawn by NPT	
Filename XDO.S02	Sheet 2 of 8	

DAC Sample Rate Configurations & Emphasis					
I ² S modes	M4	M3	M2	M1	M0
44k no emph.	0	1	1	0	1
44k w/emph.	0	0	1	0	1
96k *	1	1	1	0	1
192k *	1	1	0	0	1

* Emphasis not available for 96k & 192k rates.

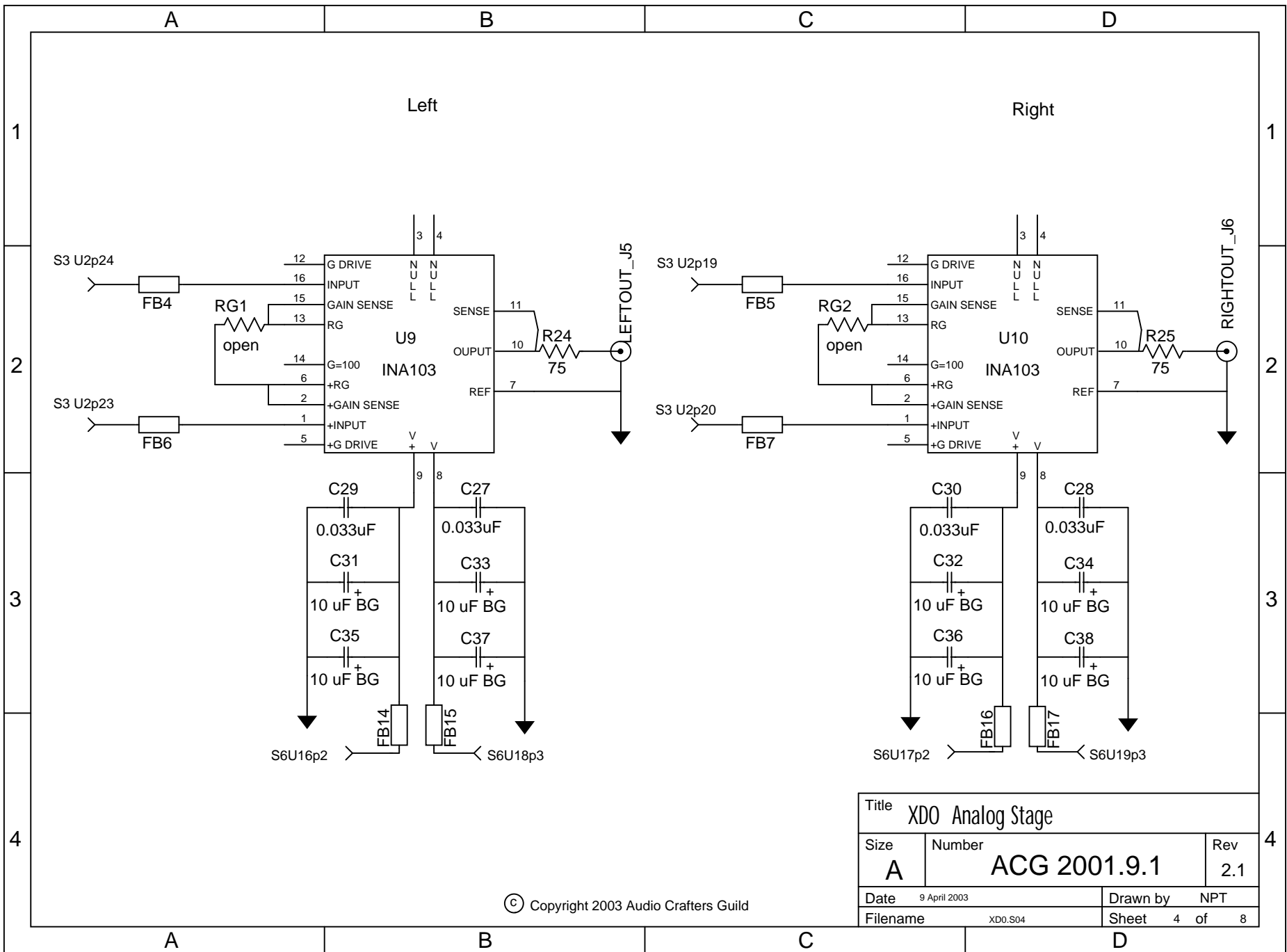


Sheet In/Out label scheme

S1 U1p14

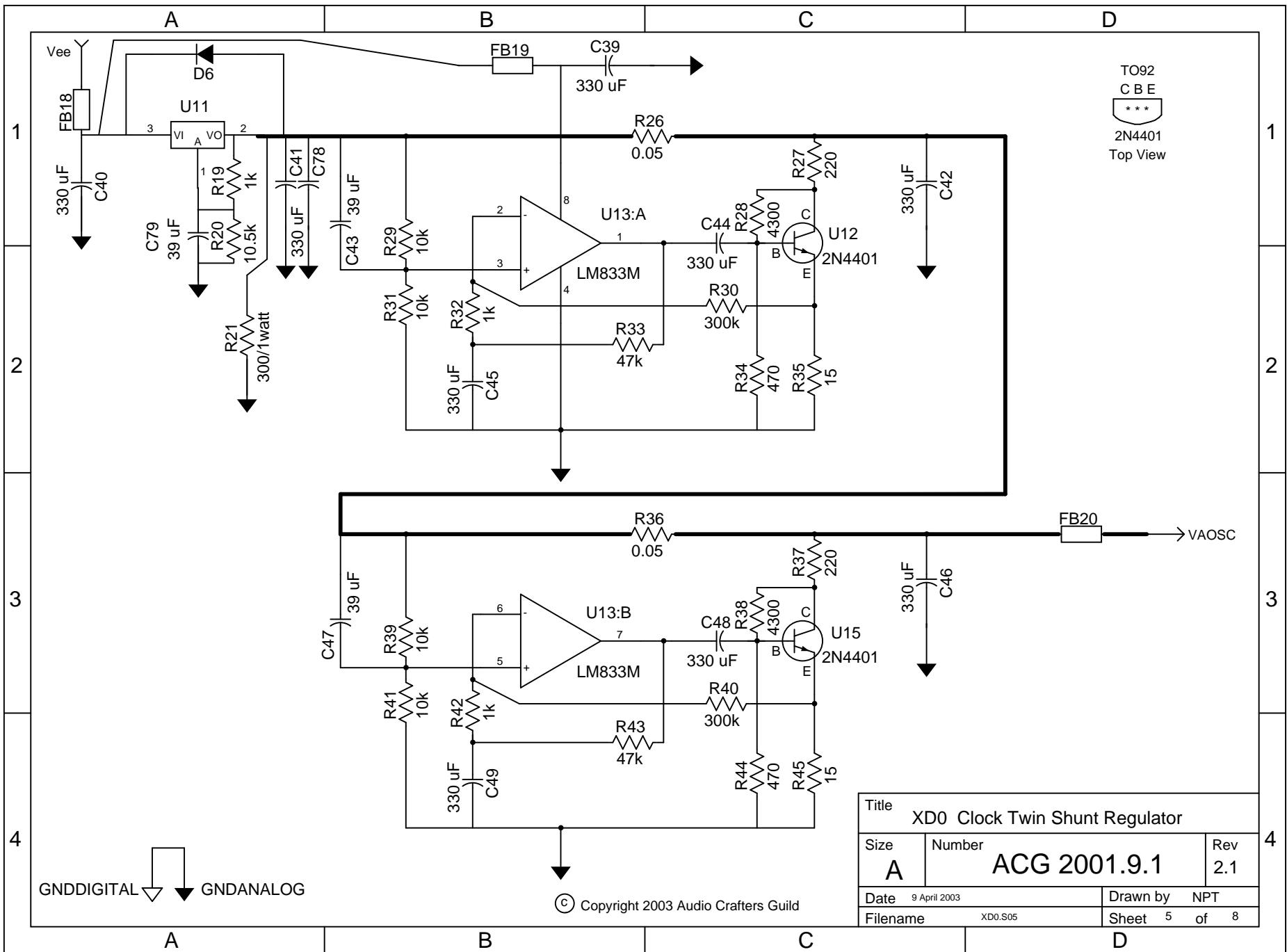
Pin number if applicable
Device number or signal name
Sheet number

Title XDO CS4396/7/122 DAC Stage		
Size A	Number ACG 2001.9.1	Rev 2.1
Date 9 April 2003	Drawn by NPT	
Filename XD0.S03	Sheet 3 of 8	



Title XDO Analog Stage		
Size A	Number ACG 2001.9.1	Rev 2.1
Date 9 April 2003	Drawn by NPT	
Filename XD0.S04	Sheet 4 of 8	

© Copyright 2003 Audio Crafters Guild



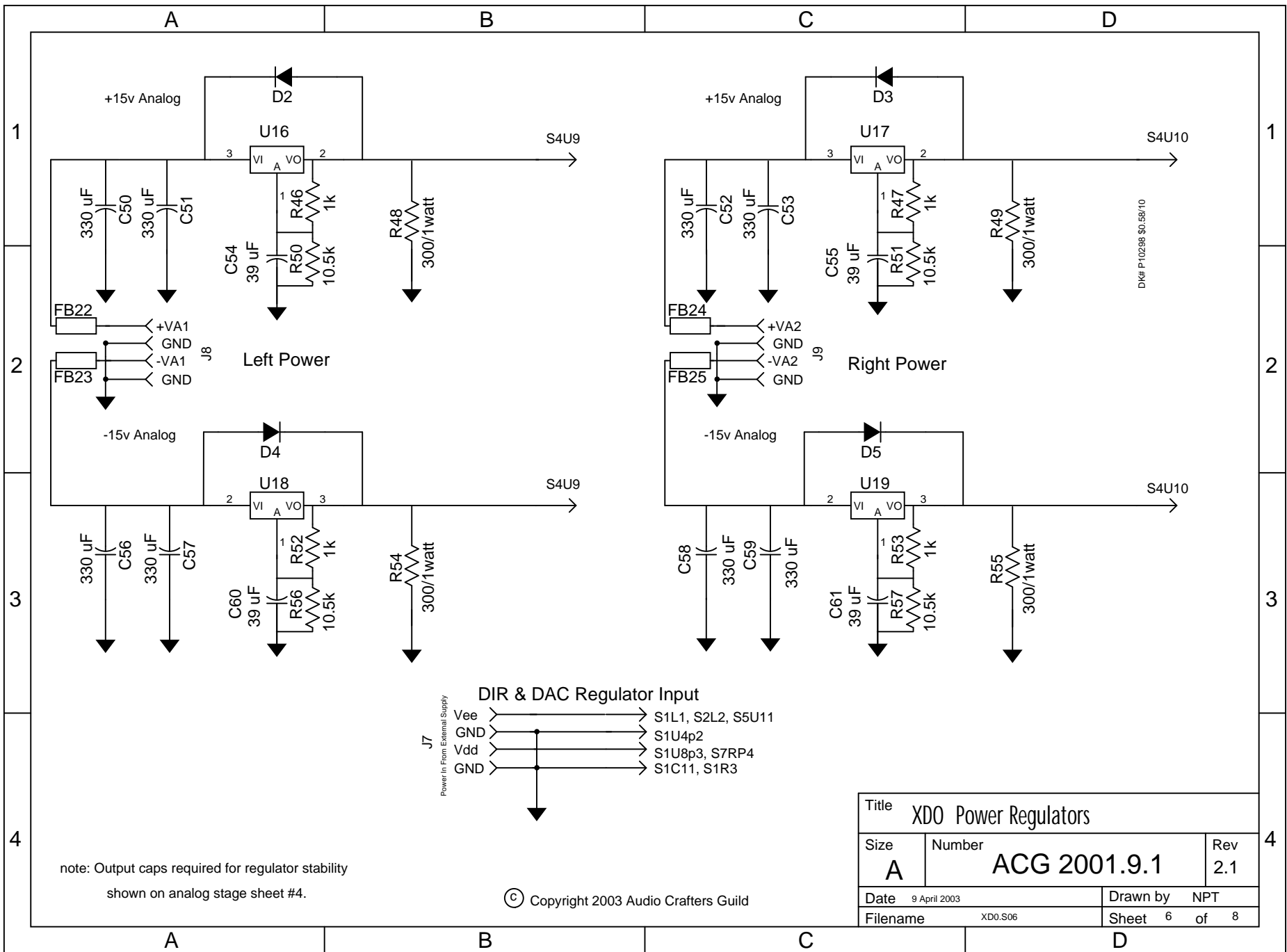
TO92
C B E

2N4401
Top View

Title			XD0 Clock Twin Shunt Regulator		
Size	Number	Rev			
A	ACG 2001.9.1	2.1			
Date	9 April 2003	Drawn by	NPT		
Filename	XD0.S05	Sheet	5	of 8	

© Copyright 2003 Audio Crafters Guild

GNDDIGITAL
GNDANALOG



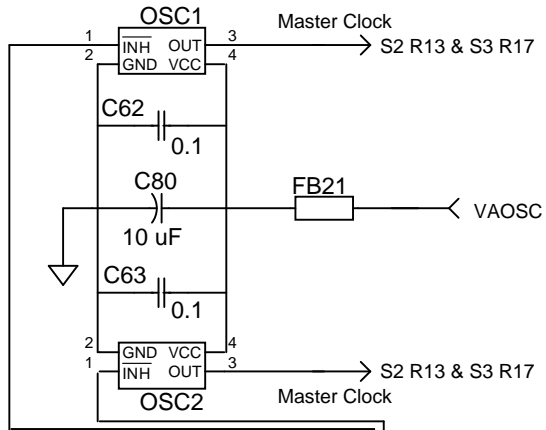
DK# P10298 \$0.58/10

note: Output caps required for regulator stability shown on analog stage sheet #4.

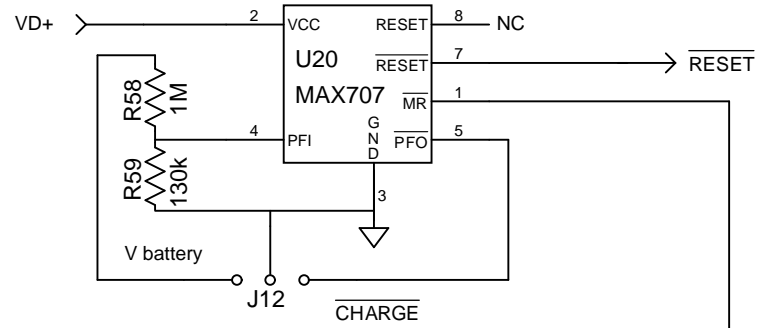
© Copyright 2003 Audio Crafters Guild

Title XDO Power Regulators		
Size A	Number ACG 2001.9.1	Rev 2.1
Date 9 April 2003	Drawn by NPT	
Filename XD0.S06	Sheet 6	of 8

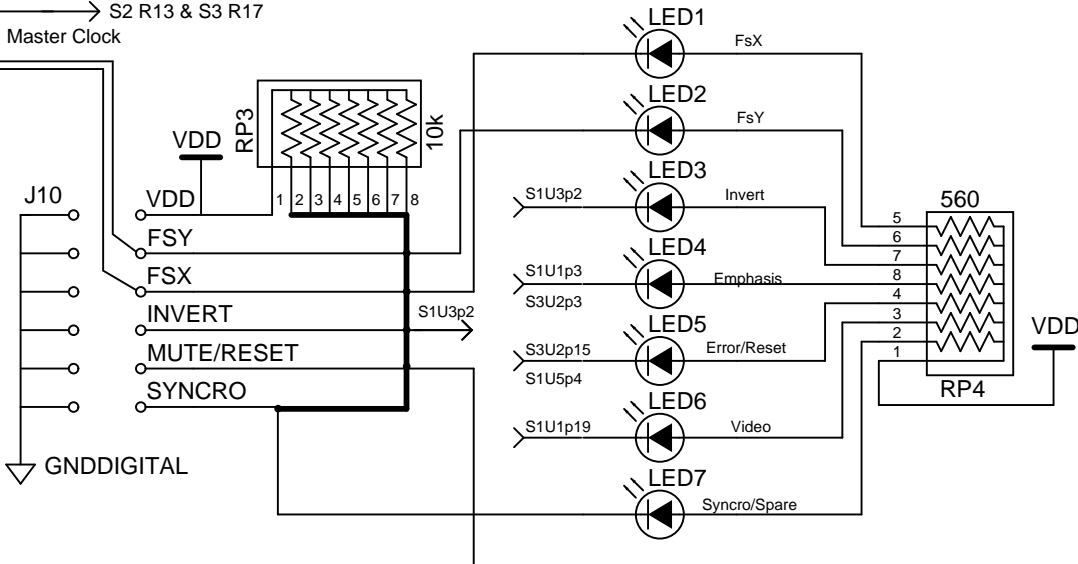
Master Clock



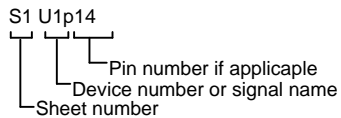
Reset



J11 mounts LED1-7



Sheet In/Out label scheme

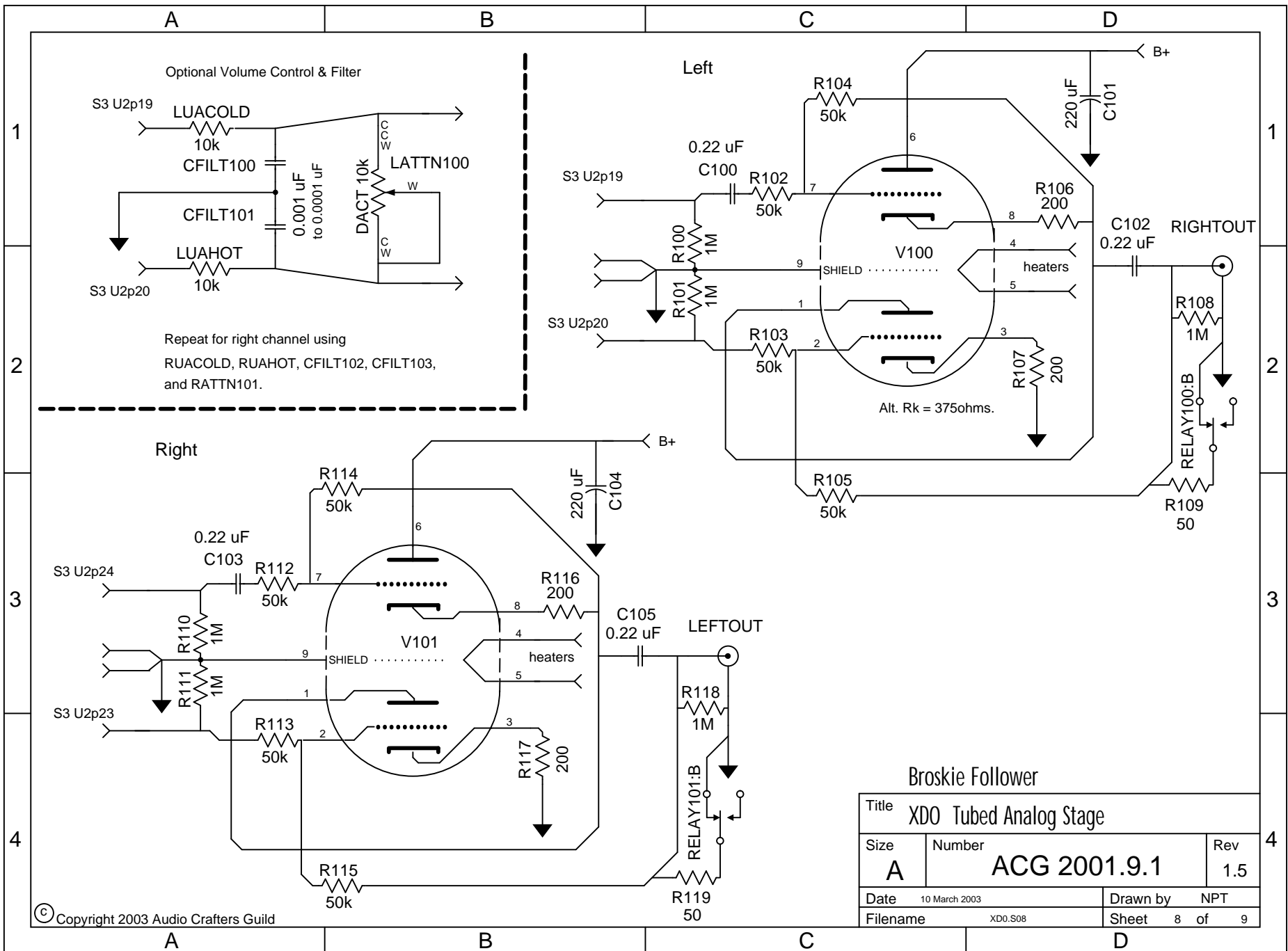


Control And Status

© Copyright 2003 Audio Crafters Guild

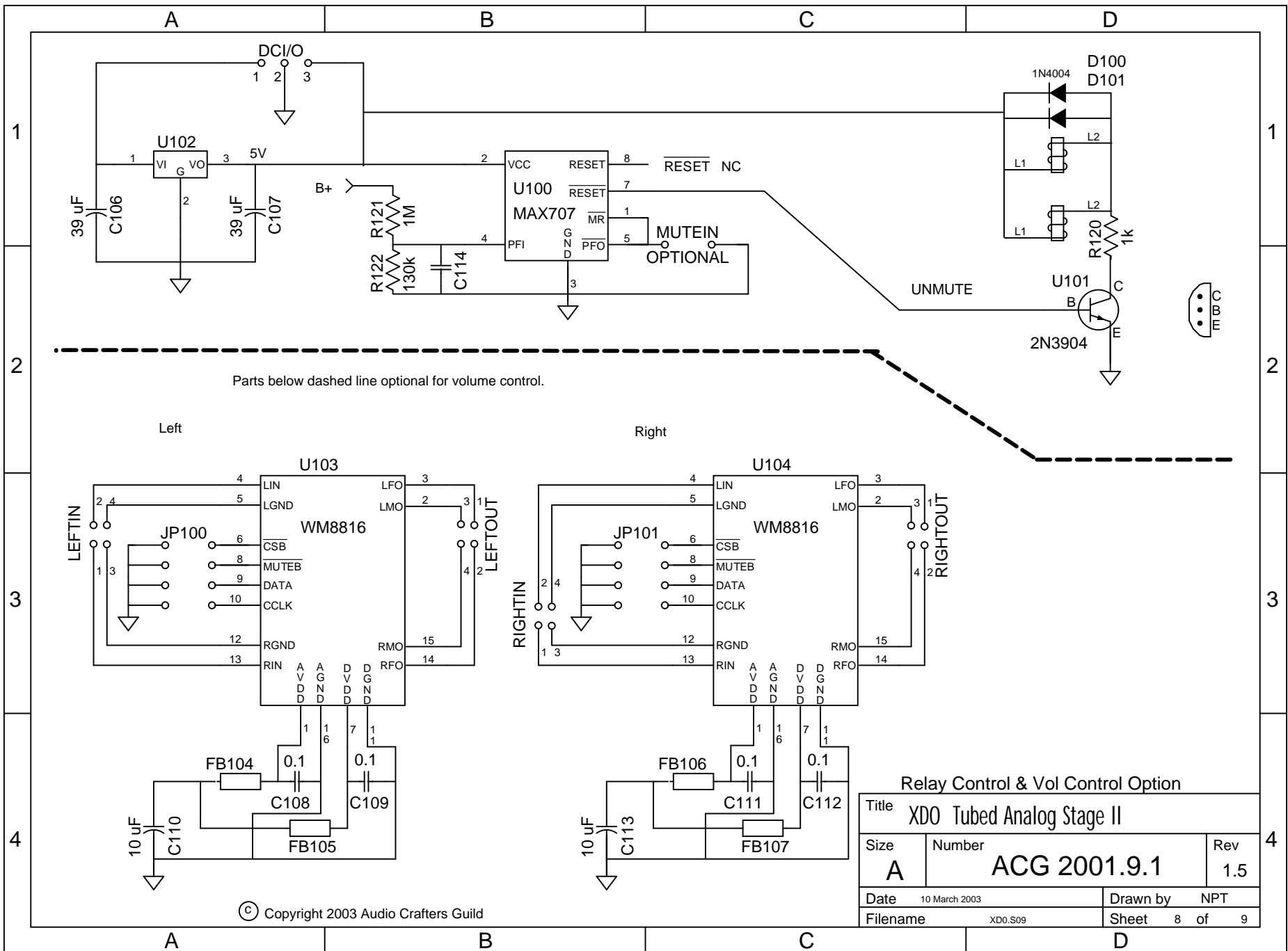
Title XDO Clock, Control, & Reset

Size	Number	Rev
A	ACG 2001.9.1	2.1
Date	9 April 2003	Drawn by NPT
Filename	XD0.S07	Sheet 7 of 8



Broskie Follower

Title XDO Tubed Analog Stage		
Size A	Number ACG 2001.9.1	Rev 1.5
Date 10 March 2003	Drawn by NPT	
Filename XD0.S08	Sheet 8 of 9	



Relay Control & Vol Control Option		
Title XDO Tubed Analog Stage II		
Size A	Number ACG 2001.9.1	Rev 1.5
Date 10 March 2003	Drawn by NPT	
Filename XD0.S09	Sheet 8 of 9	